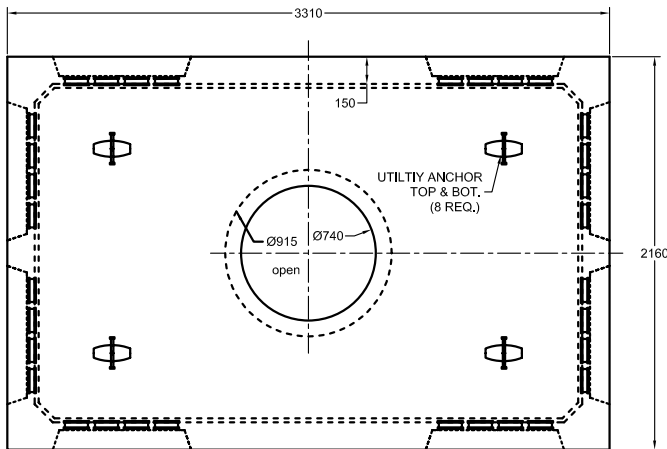


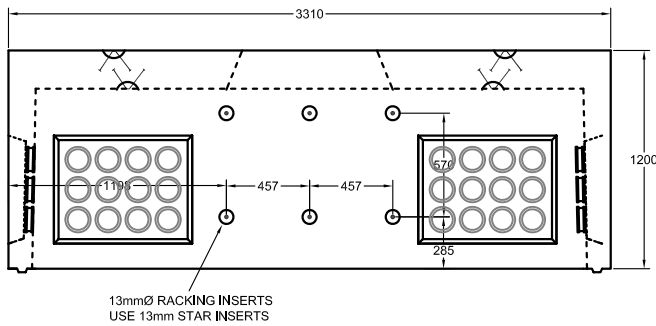
PLAN VIEW



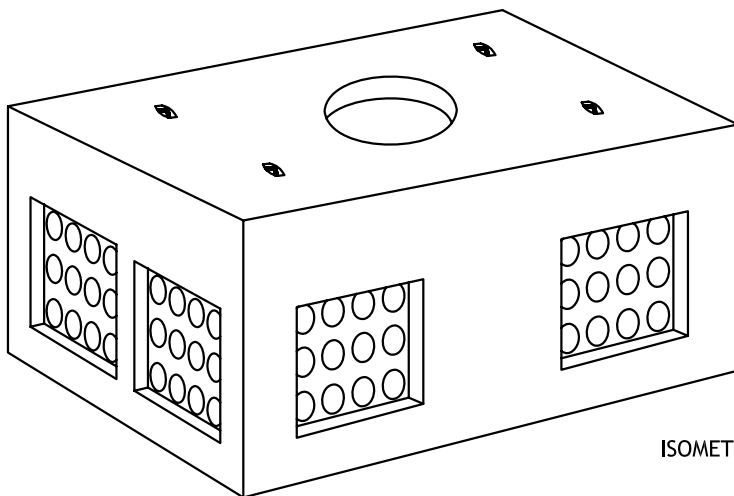
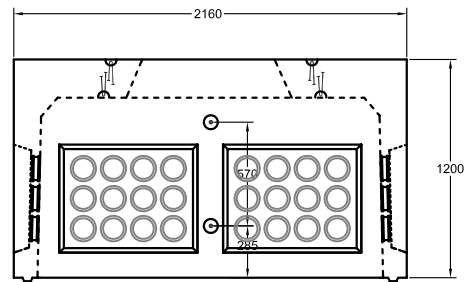
NOTES:

- ▣ Cable Entry Blockouts: 8 - 760x760x75 mm
- ▣ Concrete Strength: 30 MPa [min.] Air Entrained [5 - 8%]
- ▣ Wall Thickness: 150 mm [min.]
- ▣ 4 - Utility Anchors Outside for Easy Lifting with Crane Hook
- ▣ 4 - Utility Anchors Inside [Used as Pulling Eyes]
- ▣ 1 - 740 \varnothing mm Manhole Opening at Top
- ▣ Heavily Reinforced with 10M & 15M Bars
- ▣ 16 - 13mm Racking Inserts on Inside Walls
- ▣ Total Weight: 5,970 kg [13,134 lbs.]

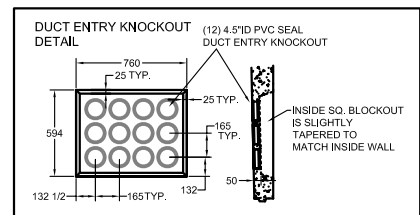
SIDE PROFILE VIEW



END PROFILE VIEW



ISOMETRIC VIEW



Hy-Grade Precast Concrete
2411 First Street Louth
St. Catharines, Ontario, L2R 6P7
Tel: 1-800-229-8568
Fax: 905-684-8560



Hy-Grade Precast Concrete Products, Inc.
PO Box 148
South Byron, New York, USA 14557
Tel: 1-877-897-2730
Fax: 585-548-2731