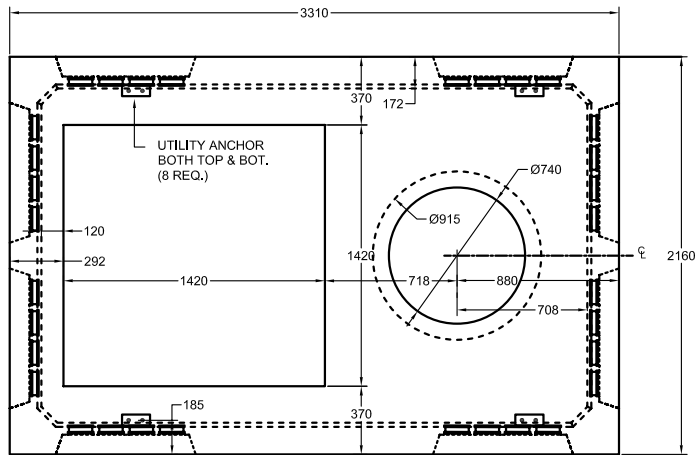


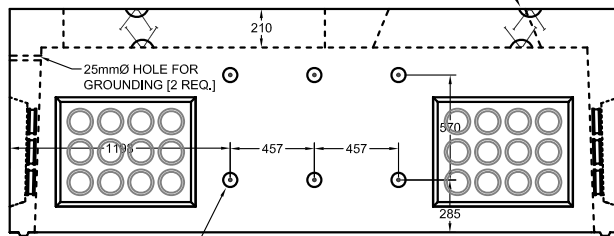
PLAN VIEW



NOTES:

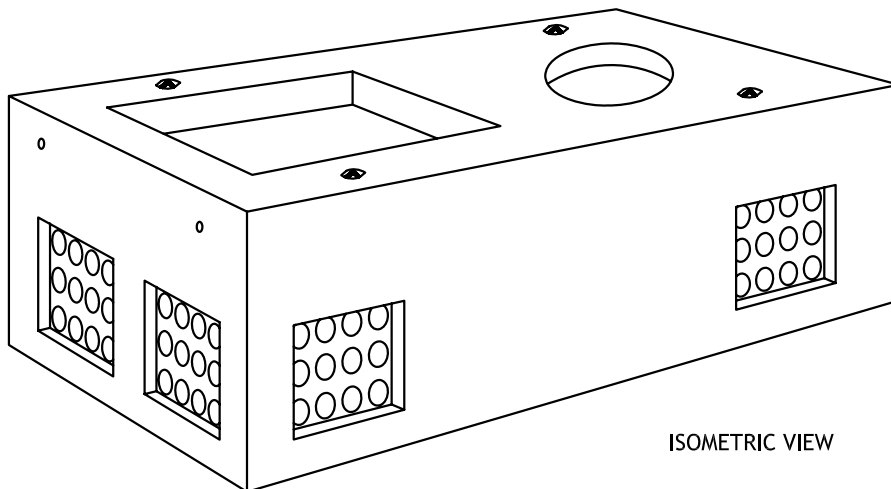
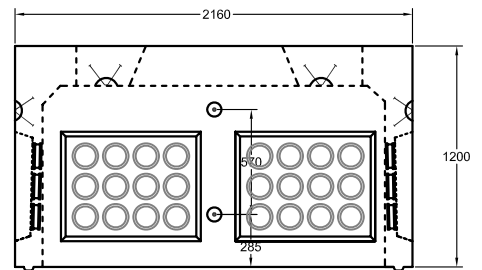
- ▣ 96 - 4"Ø Polylock Pipe Seals
- ▣ Concrete Strength: 30 MPa [min.] Air Entrained [5 - 8%]
- ▣ Wall Thickness: 150 mm [min.]
- ▣ 4 - Utility Anchors Outside for Lifting (no sp. rigging req'd)
- ▣ 4 - Utility Anchors Inside [Used as Pulling Eyes]
- ▣ 1 - 332-P Cover Plate
- ▣ 1 - 1290x1512mm Opening at Top
- ▣ Heavily Reinforced with 10M & 15M Bars
- ▣ 16 - 13mm Racking Inserts on Inside Walls
- ▣ 2 - 25mmØ Grounding Holes (one side)
- ▣ Total Weight: 4,955kg [10,900 lbs.]

UTILITY ANCHOR
BOTH TOP & BOT.
(8 REQ.)



13mmØ RACKING INSERTS
USE 13mm STAR INSERTS

END PROFILE VIEW



ISOMETRIC VIEW

