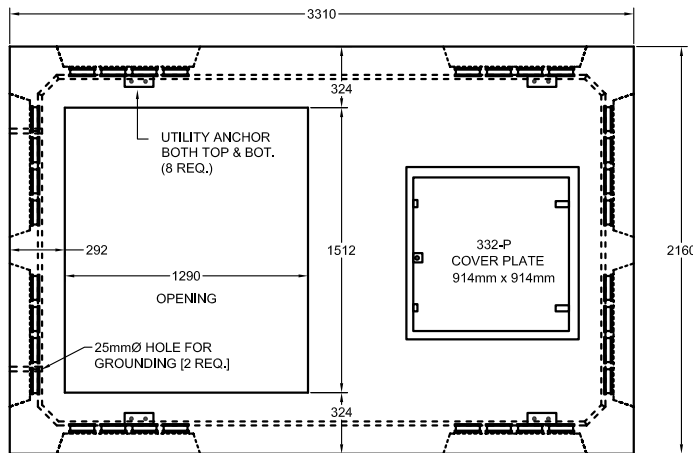


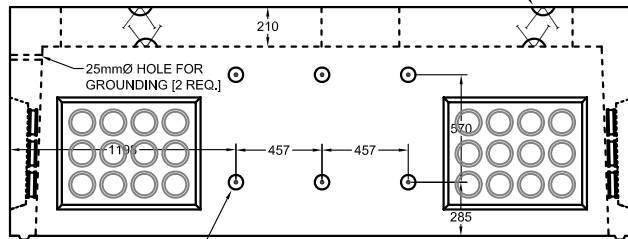
PLAN VIEW



**NOTES:**

- ▣ 96 - 4"Ø Polylock Pipe Seals
- ▣ Concrete Strength: 30 MPa [min.] Air Entrained [5 - 8%]
- ▣ Wall Thickness: 150 mm [min.]
- ▣ 4 - Utility Anchors Outside for Lifting (no sp. rigging req'd)
- ▣ 4 - Utility Anchors Inside [Used as Pulling Eyes]
- ▣ 1 - 332-P Cover Plate
- ▣ 1 - 1290x1512mm Opening at Top
- ▣ Heavily Reinforced with 10M & 15M Bars
- ▣ 16 - 13mm Racking Inserts on Inside Walls
- ▣ 2 - 25mmØ Grounding Holes (one side)
- ▣ Total Weight: 4,955kg [10,900 lbs.]

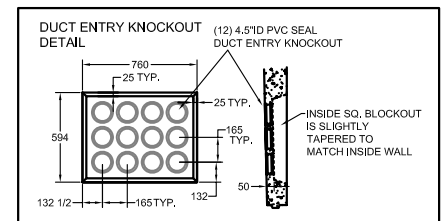
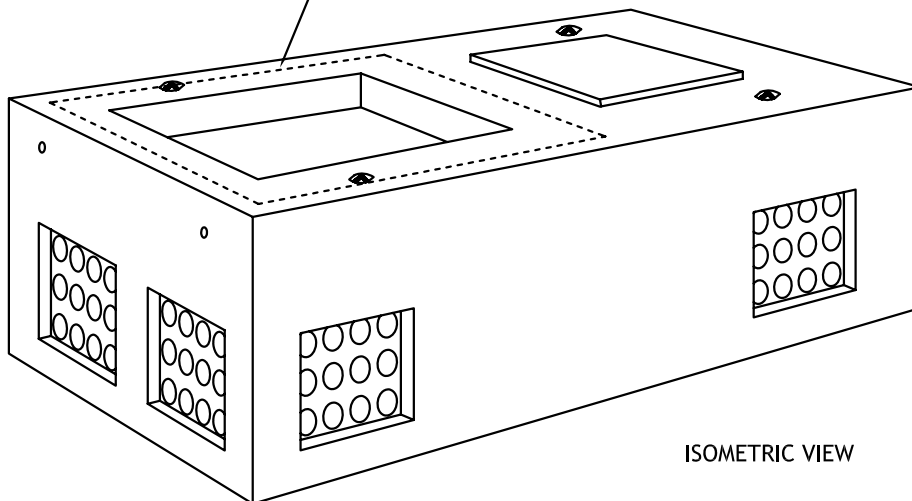
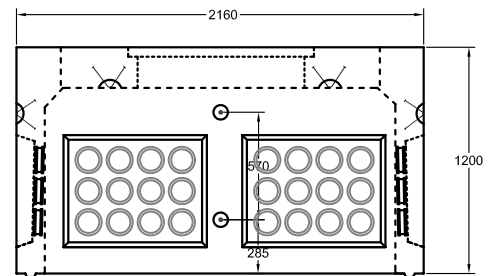
UTILITY ANCHOR BOTH TOP & BOT (8 REQ.)



13mmØ RACKING INSERTS  
USE 13mm STAR INSERTS

APPROX. FOOTPRINT  
OF SWITCH GEAR [1150 KG]

END PROFILE VIEW



Hy-Grade Precast Concrete  
2411 First Street Louth  
St. Catharines, Ontario, L2R 6P7  
Tel: 1-800-229-8568  
Fax: 905-684-8560



Hy-Grade Precast Concrete Products, Inc.  
PO Box 148  
South Byron, New York, USA 14557  
Tel: 1-877-897-2730  
Fax: 585-548-2731