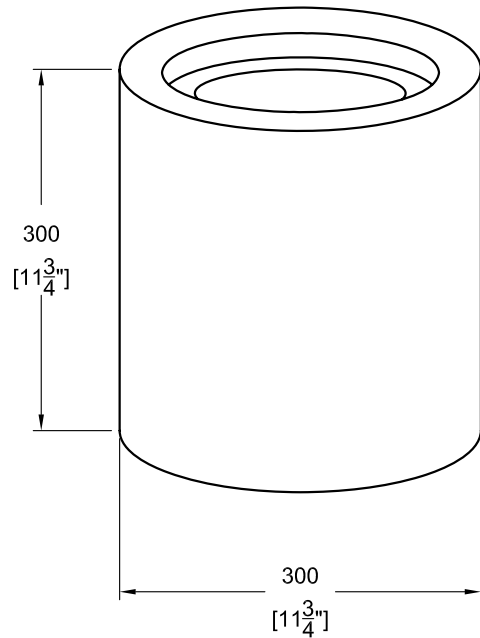
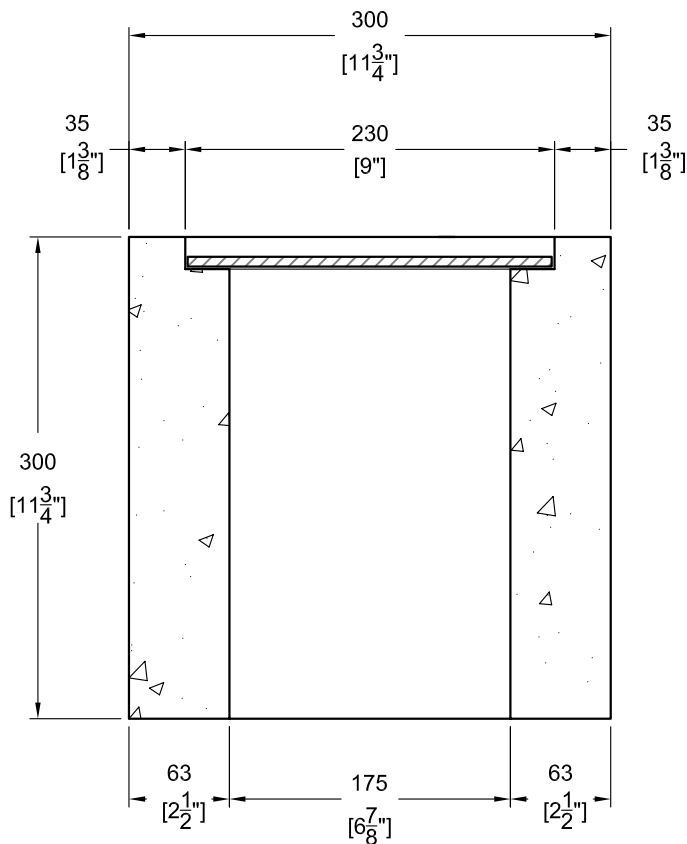


NOTES:

- ▣ Concrete Strength: 30 MPa [min.]
- ▣ Wall Thickness: 62.5 mm [min.] Air Entrained [5 - 8%]
- ▣ Heavily Reinforced with WWF 4x4x 4/4
- ▣ Total Weight: 34 kg [74 lbs.]

225 (8.85") DIAMETER COVER
6 (0.25") PLATE
c/w 2 - 20 (0.79") HOLES



JAN 14, 2009