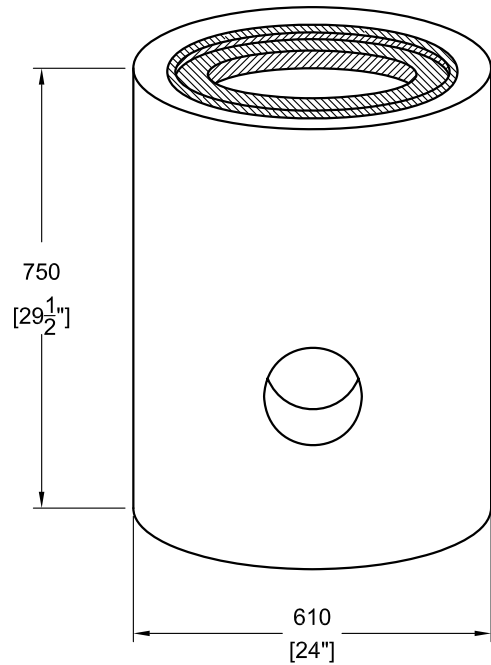
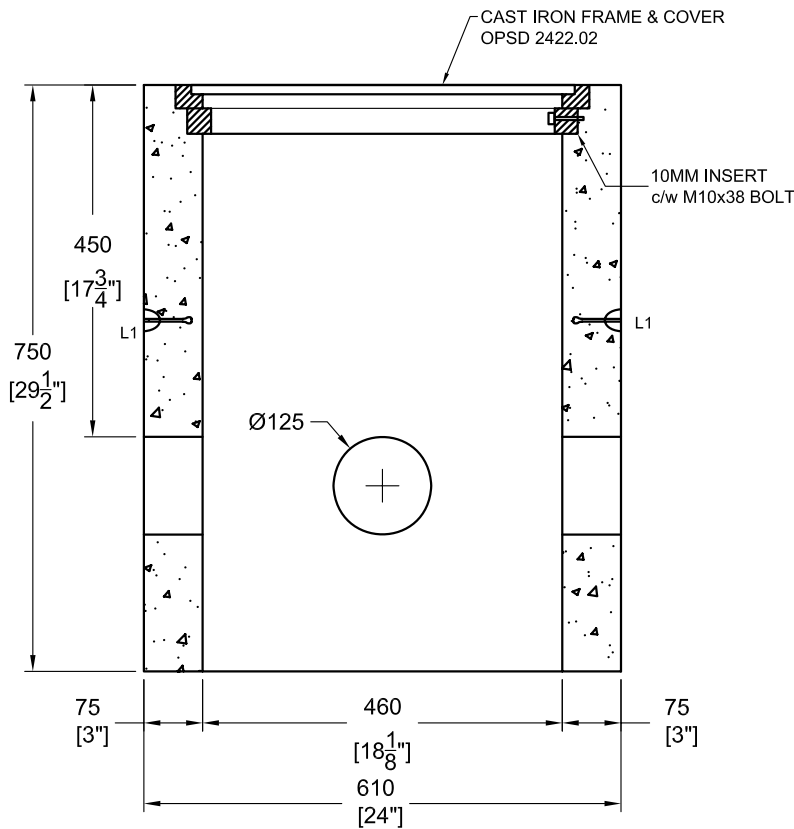


BASE PLAN

NOTES:

- ▣ Concrete Strength: 30 MPa [min.]
- ▣ Wall Thickness: 75 mm [min.] Air Entrained [5 - 8%]
- ▣ Reinforced with WWF 4x4x 4/4
- ▣ Total Weight: 227 kg [500 lbs.]



JAN 14, 2009

