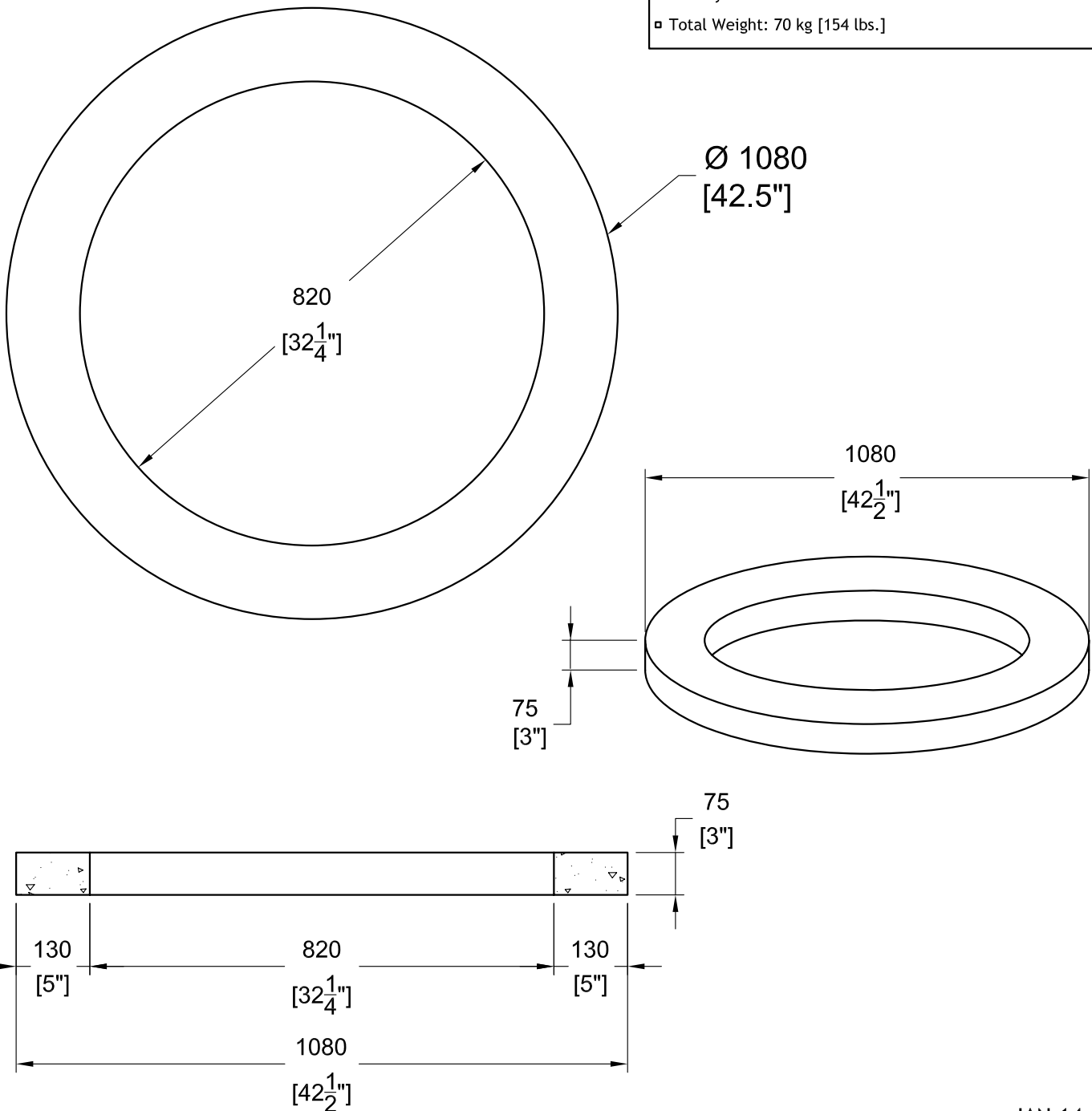


NOTES:

- ▣ Concrete Strength: 30 MPa [min.]
- ▣ Wall Thickness: 130 mm [min.]    Air Entrained [5 - 8%]
- ▣ Heavily Reinforced with WWF 4x4x 4/4
- ▣ Total Weight: 70 kg [154 lbs.]



JAN 14, 2009

Hy-Grade Precast Concrete  
2411 First Street Louth  
St. Catharines, Ontario, L2R 6P7  
Tel: 1-800-229-8568  
Fax: 905-684-8560



Hy-Grade Precast Concrete Products, Inc.  
PO Box 148  
South Byron, New York, USA 14557  
Tel: 1-877-897-2730  
Fax: 585-548-2731