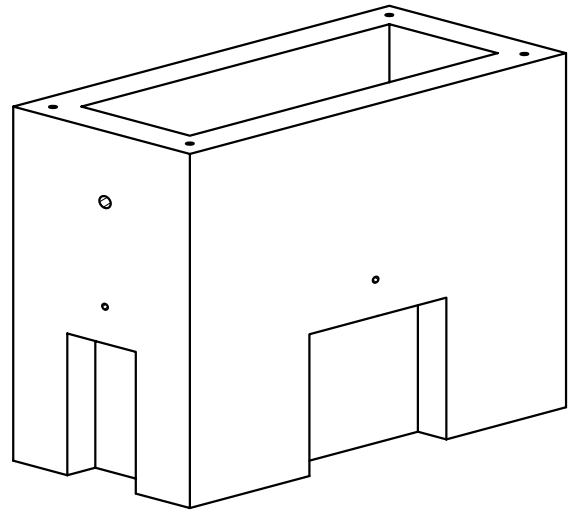


NOTES:

- ▣ Concrete Strength: 30 MPa [min.] Air Entrained [5 - 8%]
- ▣ Wall Thickness: 152mm
- ▣ 2"Ø Lifting Holes
- ▣ [4] 1/2" N.C. Gal. Threaded Inserts and bolts
- ▣ Reinforcement: 10M Rebar & 4x4x4/4 WWF
- ▣ Total Weight: 2 070 kg [4,563 lbs.]



Please contact our office for additional information and/or design assistance

JAN 16/09

Hy-Grade Precast Concrete
2411 First Street Louth
St. Catharines, Ontario, L2R 6P7
Tel: 1-800-229-8568
Fax: 905-684-8560



www.hygradeprecast.com

Hy-Grade Precast Concrete Products, Inc.
PO Box 148
Byron, New York, USA 14557
Tel: 1-877-897-2730
Fax: 585-548-2731