

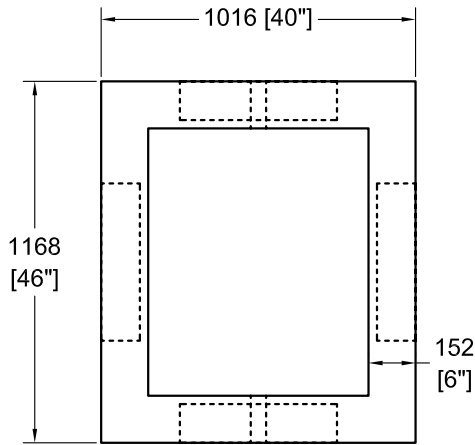


**HY-GRADE**  
PRECAST CONCRETE

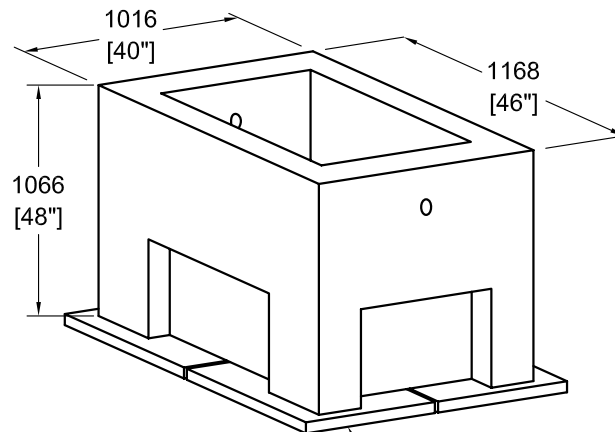
TRANSFORMER PAD

1-G-138

For Low Profile Mini Transformers

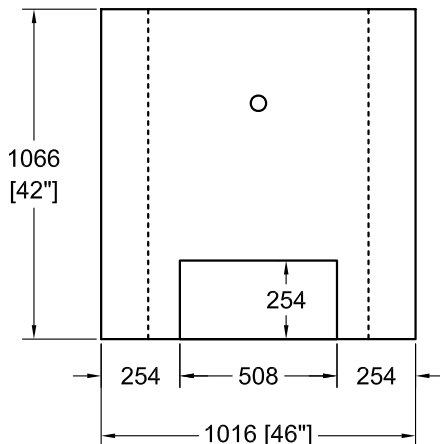


PLAN



ISOMETRIC VIEW

2" x 24" x 24"  
REINFORCED SLABS  
TO BE PLACED FOR A  
BASE DURING INSTALLATION



PROFILE

NOTES:

- ▣ PAD Knockouts: FOUR - 508 x 254 [20" x 10"]
- ▣ Concrete Strength: 30 MPa [min.] Air Entrained [5 - 8%]
- ▣ Wall Thickness: 152mm [6"]
- ▣ Reinforcement: 10M Rebar & 4x4x4/4 WWF
- ▣ TOTAL Weight: 3,200 LBS.

*Please contact our office for additional information and/or design assistance*

JAN 16/09

Hy-Grade Precast Concrete  
2411 First Street Louth  
St. Catharines, Ontario, L2R 6P7  
Tel: 1-800-229-8568  
Fax: 905-684-8560



[www.hygradeprecast.com](http://www.hygradeprecast.com)

Hy-Grade Precast Concrete Products, Inc.  
PO Box 148  
Byron, New York, USA 14557  
Tel: 1-877-897-2730  
Fax: 585-548-2731