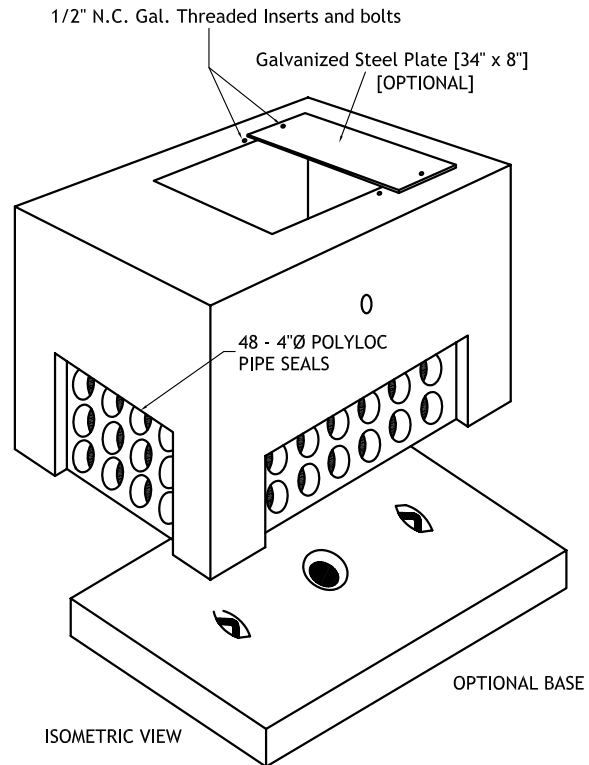
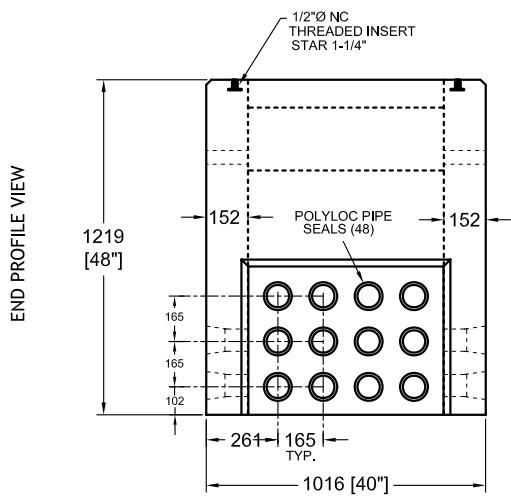
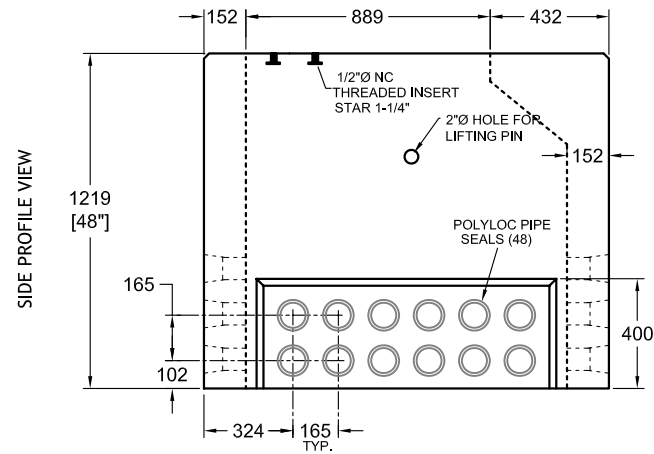
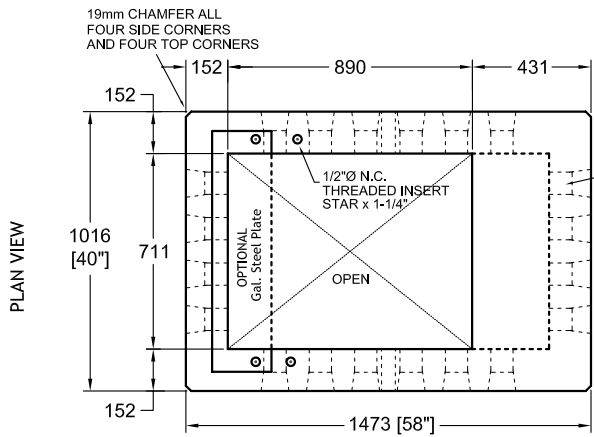




# HY-GRADE

# TRANSFORMER PAD TP-142-48d



### NOTES:

- ▣ Knockouts: 48 - 4"Ø POLYLOC PIPE SEALS
- ▣ Concrete Strength: 30 MPa [min.] Air Entrained [5 - 8%]
- ▣ Wall Thickness: 152mm
- ▣ Galvanized Steel Plate [34" x 8"]
- ▣ 1/2" N.C. Gal. Threaded Inserts and bolts
- ▣ Reinforcement: 10M Rebar & 4x4x4/4 WWF
- ▣ Vault Weight: 1,889 kg [4,156 lbs.]
- ▣ Optional Base Weight: 1,200 lbs (546 kg)

Hy-Grade Precast Concrete  
2411 First Street Louth  
St. Catharines, Ontario, L2R 6P7  
Tel: 1-800-229-8568  
Fax: 905-684-8560



Hy-Grade Precast Concrete Products, Inc.  
PO Box 148  
South Byron, New York, USA 14557  
Tel: 1-877-897-2730  
Fax: 585-548-2731