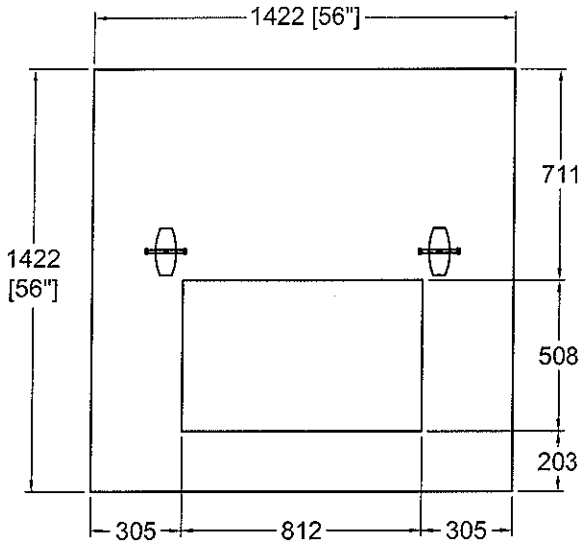


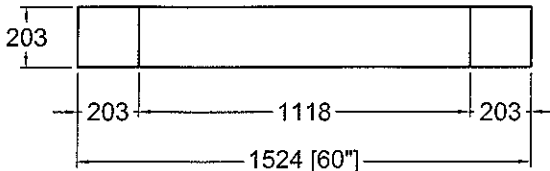
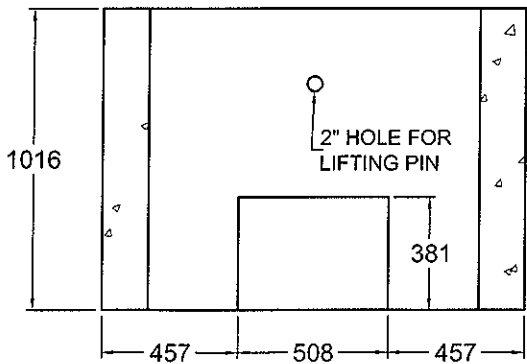
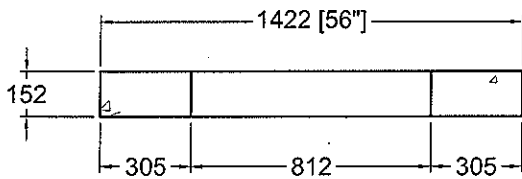


**HY-GRADE**  
PRECAST CONCRETE

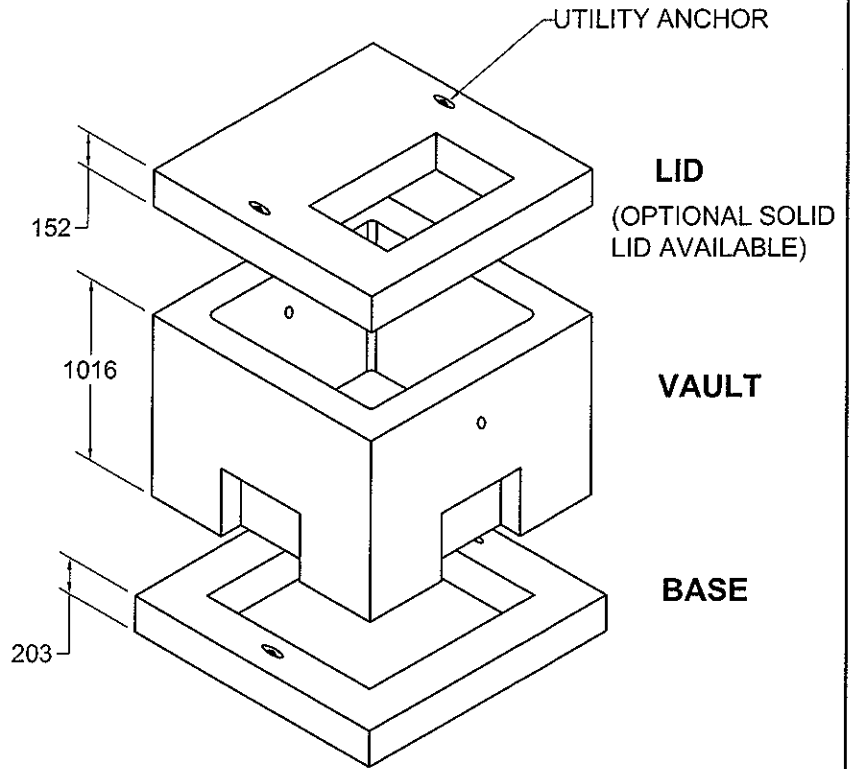
**TRANSFORMER PAD**  
**TP-102**  
**FOR 75-225 KVA TRANSFORMER**



**PLAN VIEW**



**PROFILE VIEW**



**ISOMETRIC VIEW**

**NOTES:**

- ▣ PAD Knockouts: FOUR - 610 x 457 [24" x 18"]
- ▣ Utility Anchors in concrete (no special lifting device req'd)
- ▣ Concrete Strength: 30 MPa [min.] Air Entrained [5 - 8%]
- ▣ Wall Thickness: 152mm [6"]
- ▣ BASE Thickness: 203mm [8"] & LID Thickness: 152mm [6"]
- ▣ Reinforcement: 10M Rebar & 4x4x4/4 WWF
- ▣ LID Weight: 590 kg [1,300 lbs]
- ▣ VAULT Weight: 1,655 kg [3,650 lbs.]
- ▣ BASE Weight: 526 kg [1,160 lbs.]

Hy-Grade Precast Concrete  
2411 First Street Louth  
St. Catharines, Ontario, L2R 6P7  
Tel: 1-800-229-8568  
Fax: 905-684-8560



[www.hygradeprecast.com](http://www.hygradeprecast.com)

Hy-Grade Precast Concrete Products, Inc.  
PO Box 148  
Byron, New York, USA 14557  
Tel: 1-877-897-2730  
Fax: 585-548-2731