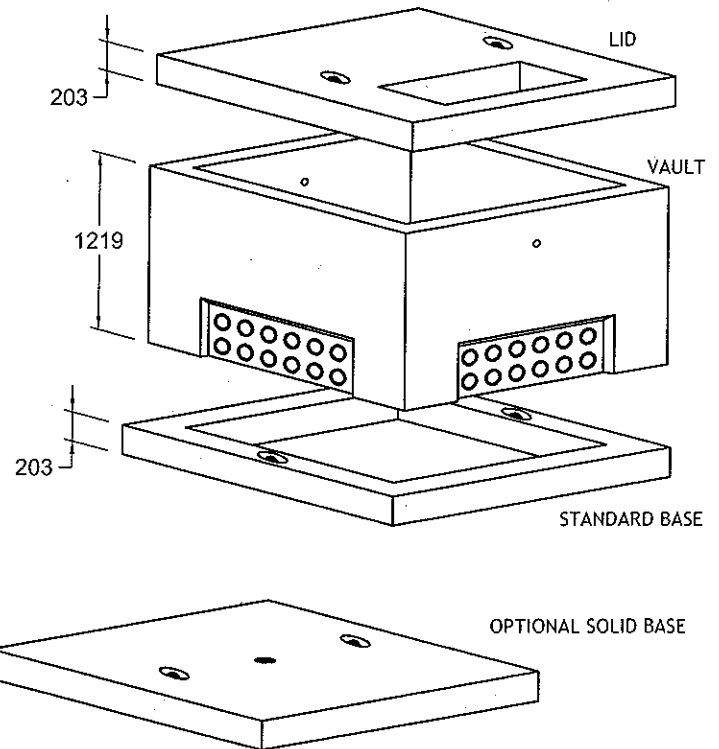
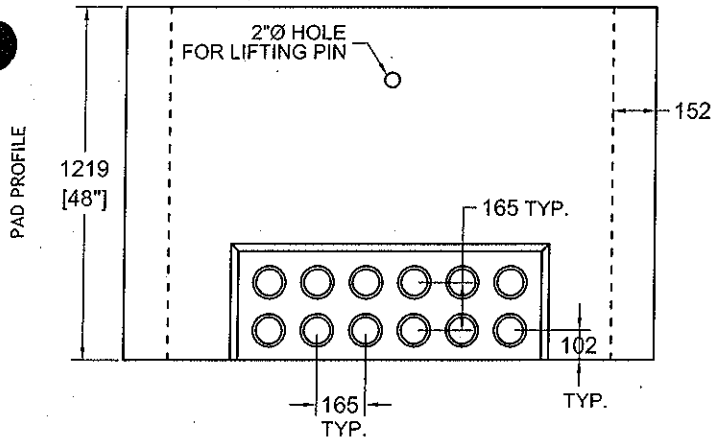
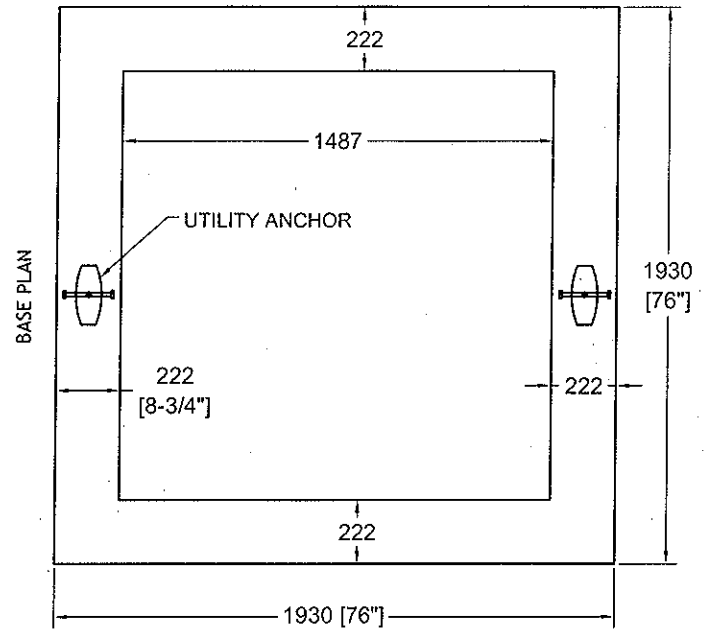
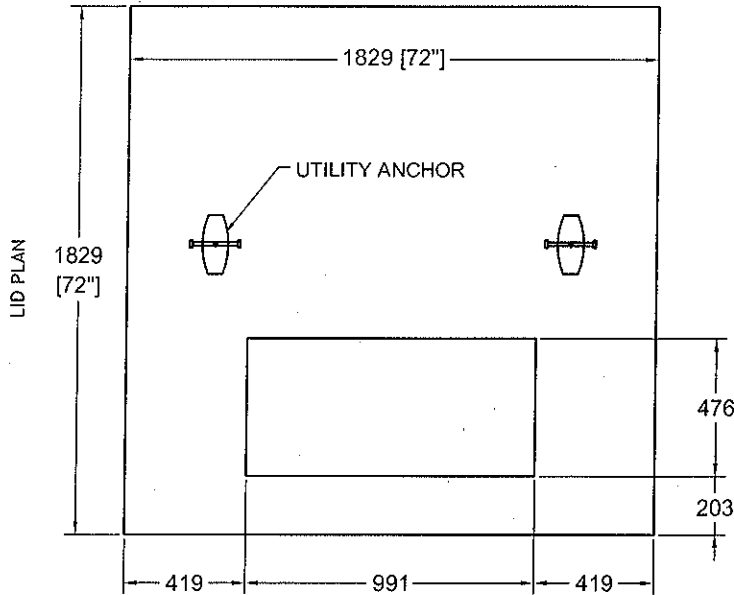




HY-GRADE
PRECAST CONCRETE

TRANSFORMER PAD
TP-103-48D
FOR UP TO 1200 KVA TRANSFORMER



NOTES:

- ▣ 48 - 4'Ø Polylock Pipe Seats
- ▣ Concrete Strength: 30 MPa [min.] Air Entrained [5 - 8%]
- ▣ Wall Thickness: 152mm [6"]
- ▣ BASE & LID Thickness: 203mm [8"]
- ▣ Reinforcement: 10M Rebar & 4x4x4/4 WWF
- ▣ LID Weight: 1 400 kg [3 085 lbs.]
- ▣ VAULT Weight: 2 995 kg [6 600 lbs.]
- ▣ BASE Weight: 745 kg [1 635 lbs.]
- ▣ OPTIONAL SOLID BASE Weight: 1 821 kg [4 015 lbs.]

Hy-Grade Precast Concrete
2411 First Street Louth
St. Catharines, Ontario, L2R 6P7
Tel: 1-800-229-8568
Fax: 905-684-8560



www.hygradeprecast.com

Hy-Grade Precast Concrete Products, Inc.
PO Box 148
Byron, New York, USA 14557
Tel: 1-877-897-2730
Fax: 585-548-2731