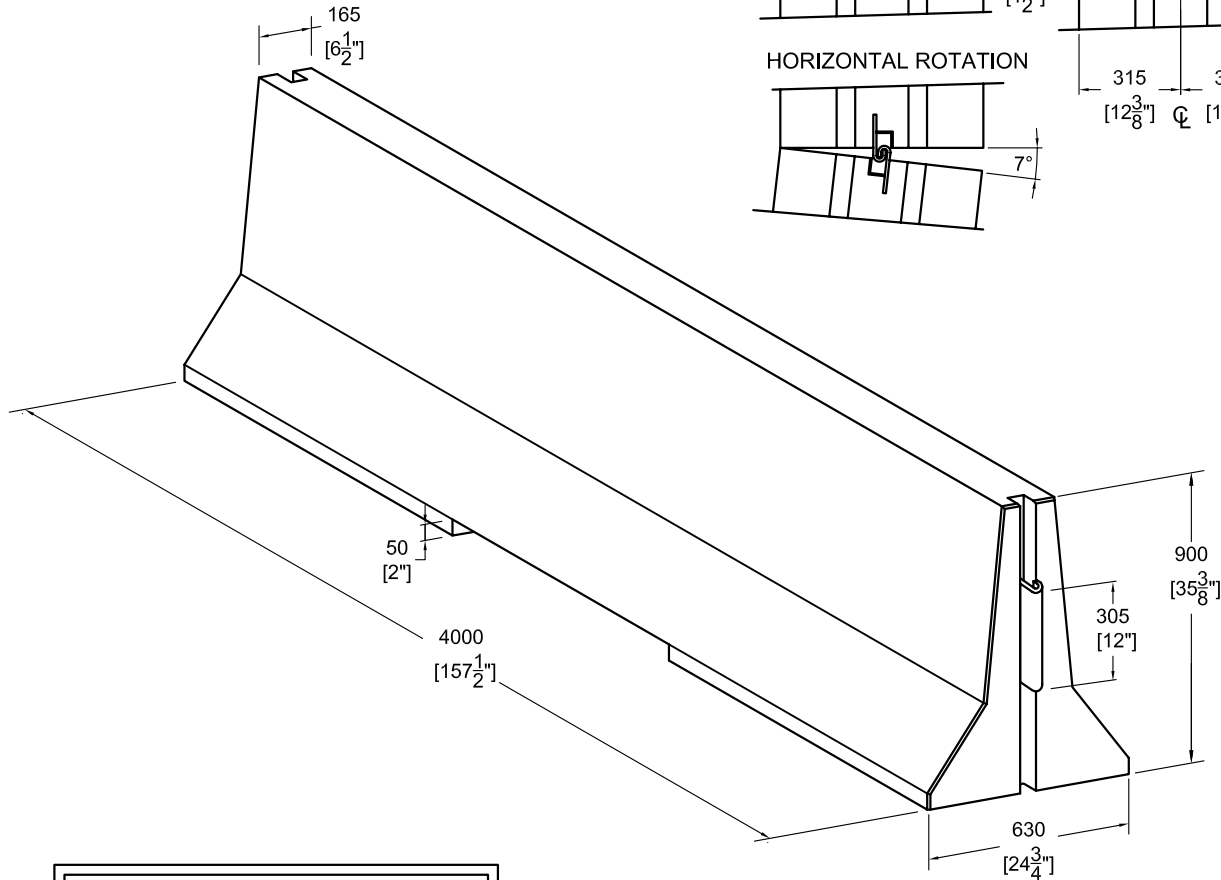
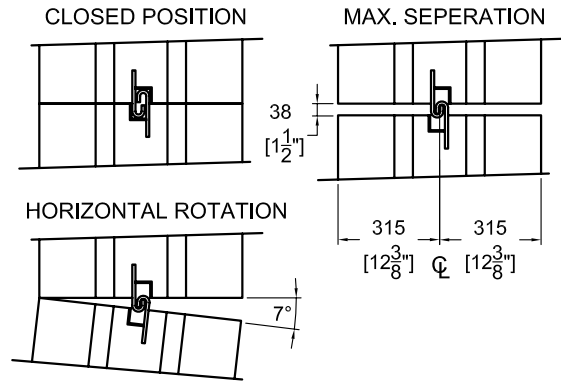




HY-GRADE
PRECAST CONCRETE

J-J HOOK CONCRETE BARRIER

BARRIER TO BARRIER CONNECTION



UNIT WEIGHT = 5676 lbs. (2580 kg)

Manufactured to meet your needs...

- Designed for permanent or temporary use
- Long Lasting...Low life Cycle Costs
- Durable Precast will not Rust, Rot or Burn
- Maintenance Free
- Uniformity in Appearance, Weight, Strength and Colour
- Safe, Quick and Easy Installation by Your Labour Force

Design meets MTOD - 911 specifications

Please contact our office for additional information and/or design assistance

Hy-Grade Precast Concrete
2411 First Street Louth
St. Catharines, Ontario, L2R 6P7
Tel: 1-800-229-8568
Fax: 905-684-8560



www.hygradeprecast.com

Hy-Grade Precast Concrete Products, Inc.
PO Box 148
Byron, New York, USA 14557
Tel: 1-877-897-2730
Fax: 585-548-2731